



# Besta Power

EFFICIENT & ERGONOMIC

## EFFICIENCY

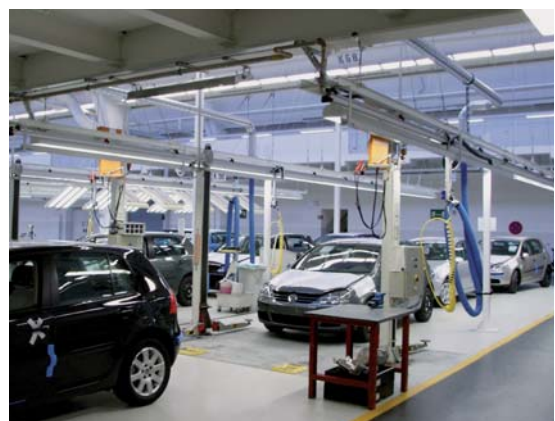
### Everything speaks for Bestapower

- Efficient energy supply for compressed air and electric tools, as well as cordless drill/driver battery chargers
- Simple integration of data cables for control units of electric drills/drivers, printers and monitors
- Direct mounting of lights, cable ducts, warning lamps and fans
- Reduction of the support steel structures
- High degree of freedom in planning and assembly
- Non-corrosive and silicon-free
- High air flow rate with minimal pressure loss
- Suitable for stationary work stations and continuously moving production
- Simple retrofitting of additional work stations
- Low wear properties and reusable
- Reduction of spiral hoses
- The rail acts as a compressed air reservoir
- Modular construction

## ERGONOMICS

### High productivity and motivated employees

- Short work distances
- Optimally positioned tools
- Minimal expended energy



## SUSTAINABILITY

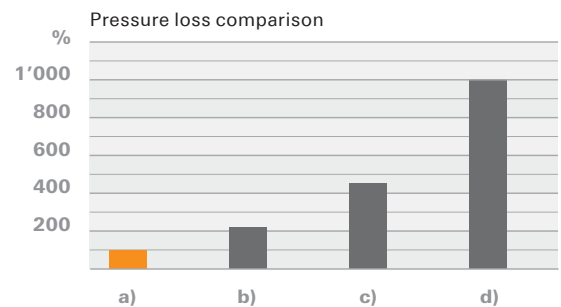
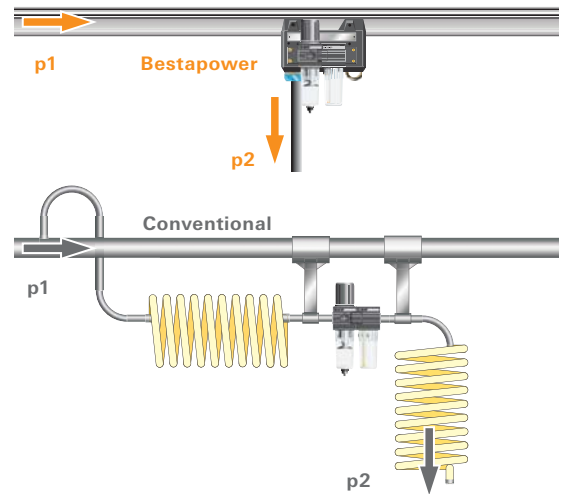
### The sustainability of Bestapower is proven

- The high reusability reduces the investment cost
- Above average life, low wear
- Down times, repair costs and spare parts storage are minimized
- The system can be simply and quickly expanded or modified
- Reduces the energy cost

### Without spiral hoses, you save measurable amounts of energy

Example, with the use of:

- a) Straight hose inside dia. = 9.0 mm
- b) Spiral hose inside dia. = 9.0 mm, dia. of spiral = 70 mm
- c) Spiral hose inside dia. = 8.0 mm, dia. of spiral = 66 mm
- d) Spiral hose inside dia. = 6.5 mm, dia. of spiral = 68 mm



Source: Walther Präzision

Test configuration

Working length of hose 5 m  
 Operating pressure 6 bar  
 Volumetric flow rate 10 l/s at 20°C

## REFERENCES

### Over 160 km of Bestapower are installed worldwide

Thousands of workers in the automotive industry, in household appliance production, as well as in machine and equipment manufacture, work routinely and successfully with Bestapower.



## The rail profiles

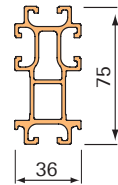
The aluminium profiles are colourless-anodized and available in lengths of up to six metres. They can be combined to create tracks of any desired length. Profiles with integral compressed air supply are sealed with silicon-free and oil-resistant O-rings. Maximum sealing and corrosion resistance are guaranteed.

### BESTAPOWER PROFILES

#### Profile C75 - the Compact

The profile without integral air supply is provided with four practical grooves for the mounting of peripheral devices and can be equipped with energy carrier systems.

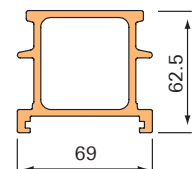
Weight per meter	1.82 kg/m
Weight 6 m Profile	10.9 kg
Load capacity	65 kg with point load 80 kg with work station
Spacing distance	2 m at 65 kg, 3 m at 30 kg
Moment of inertia	36 cm <sup>4</sup>



#### Profile A62 - the Classic

The profile with integral compressed air supply is suitable for use with tapping valves and tapping carriages, as well as for energy carrier systems.

Weight per meter	2.63 kg/m
Weight 6 m Profile	15.8 kg
Duct cross section	2,098 mm <sup>2</sup>
Operating pressure max.	10 bar
Load capacity	80 kg
Spacing distance	2 m at 80 kg, 3 m at 30 kg
Moment of inertia	45 cm <sup>4</sup>

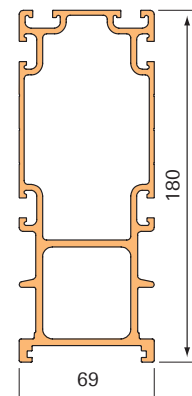


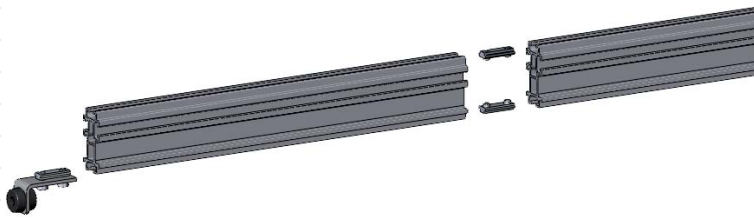
#### Profile A180 - the Mighty

The profile with integral compressed air supply and high load capacity reduces the need for steel structures. Grooves on three sides allow the mounting of energy carrier systems and peripheral devices.

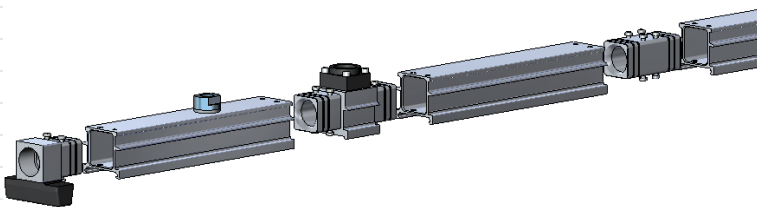
The profiles A62 and A180 are compatible.

Weight per meter	5.70 kg/m
Weight of 6 m Profile	34.2 kg
Duct cross section	2,098 mm <sup>2</sup>
Operating pressure max.	10 bar
Load capacity	120 kg
Spacing distance	6 m
Moment of inertia	748 cm <sup>4</sup>

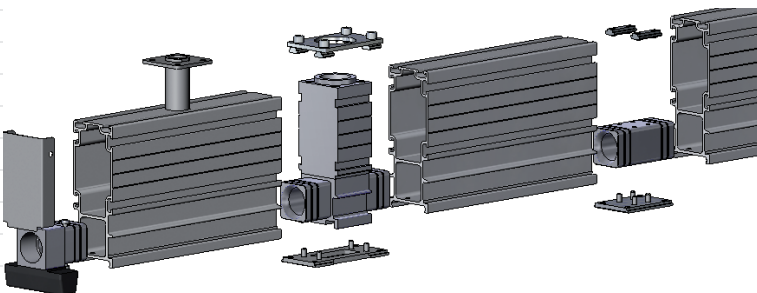




- Integral air supply
- Use of tapping valves
- Mounting of energy carrier systems
- Work stations, tool holders
- Festoon systems
- Use of connection plates
- X-Y configuration
- As curved pieces



- Integral air supply
- Use of tapping valves
- Mounting of energy carrier systems
- Work stations, tool holders
- Festoon systems
- Use of connection plates
- X-Y configuration
- As curved pieces



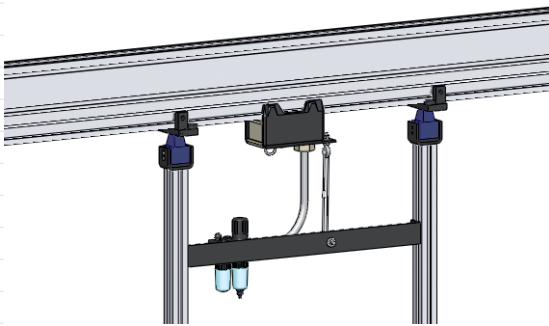
- Integral air supply
- Use of tapping valves
- Mounting of energy carrier systems
- Work stations, tool holders
- Festoon systems
- Use of connection plates
- X-Y configuration
- As curved pieces

## Application-specific solutions

Bestapower brings compressed air and electricity ergonomically to the work station, as well as measurement data from the tool to the control unit. Depending on the application, a variety of different solutions is available.

### TAPPING VALVE SYSTEM

- Profile C75
- Profile A62
- Profile A180



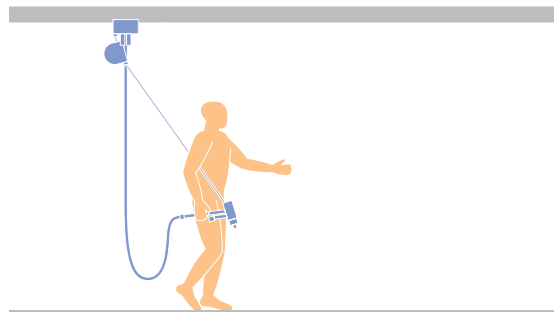
As standard in the Profiles A62 and A180, tapping valves are installed at a distance of 1.5 m. The tapping carriages dock automatically when they pass over the tapping valves and supply the tools with compressed air. The carriage can be detached at any time via a pull on the hose, or by means of the detaching device, and be moved to the next docking point.

The tapping valve system allows working over the whole length of the rail profile. This property is not offered by any other media supply system!

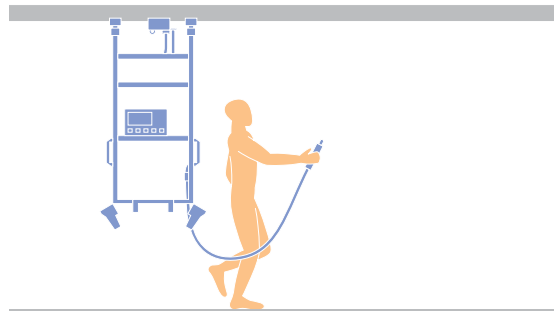
When continuous compressed air and/or electric power is required, we recommend the solution with the energy carrier system (see next page).



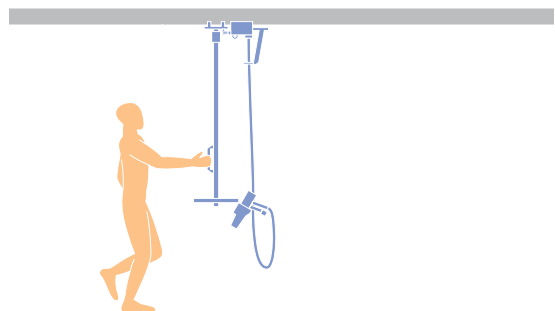
Tapping valve (section through Profile A62)



Solution with tapping carriage and balancer



Solution with tapping carriage and work station for control units, small parts and tools

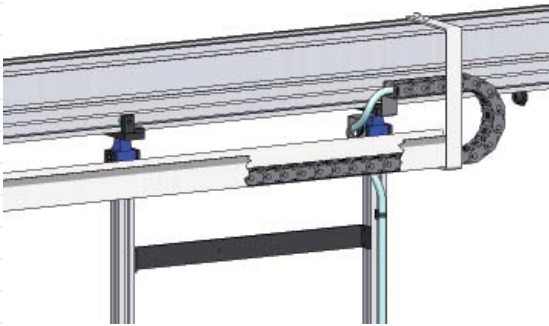


Solution with tapping carriage and tool holder



## ENERGY CARRIER SYSTEM

- ✓ Profil C75
- ✓ Profil A62
- ✓ Profil A180

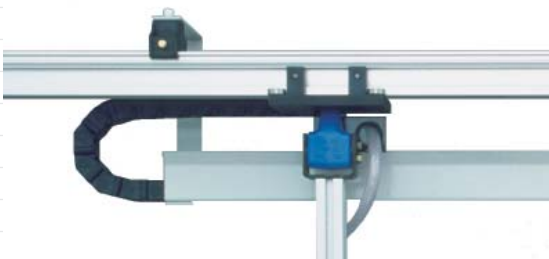


Ideal solution for the continuous supply of compressed air and electric power, as well as for use with data cables, such as e.g. for the acquisition of data from screwed connections.

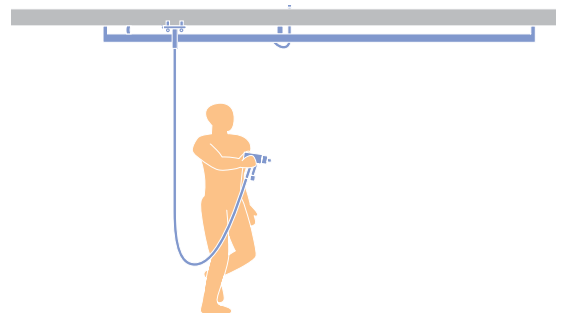
The electric power cable can be used, e.g. for electric tools and the charging stations of cordless drills/drivers.

In contrast to the tapping valve solution, the air supply is continuous.

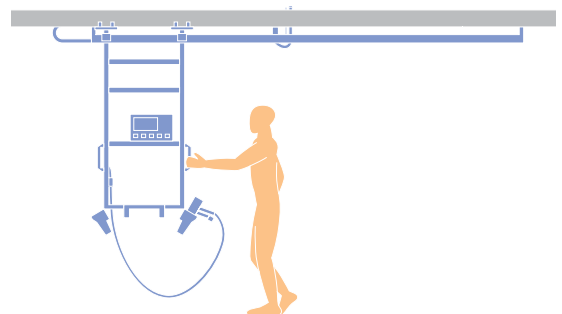
As roller bearings are fitted throughout, the movable elements glide easily with minimal force.



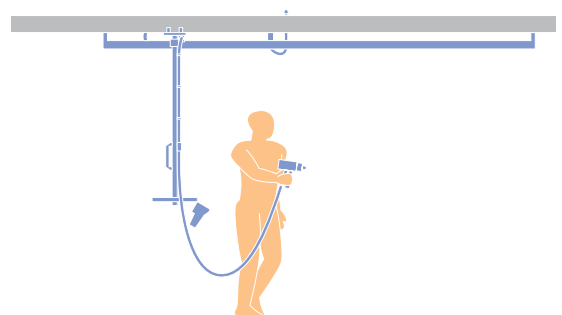
Energy carrier with Profile A62



Solution with carrier units



Solution with work station

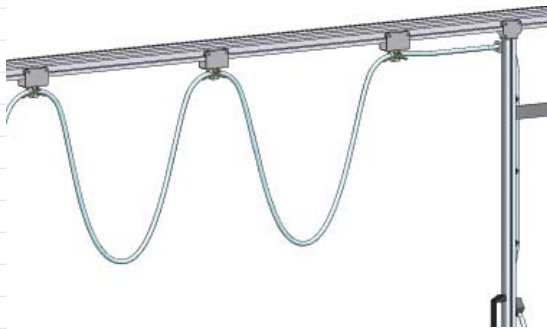


Solution with tool holder



## FESTOON SYSTEM

- ✓ Profile C75
- ✓ Profile A62
- ✓ Profile A180

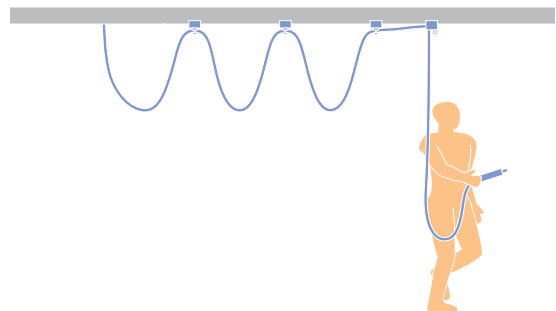


Simple solution for the supply of compressed air and electric power, as well as for the use of data cables. Continuous media supply within the work area.

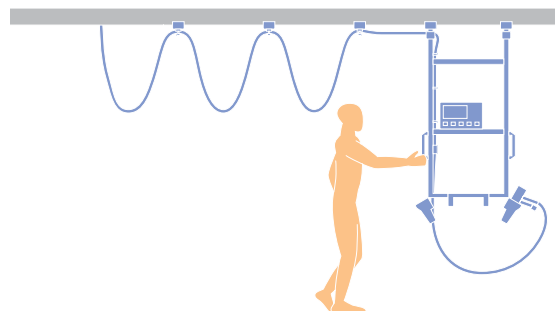
The festoon system solution can be implemented with the Profiles A62, A180 and C75. With the Profiles A62 and A180, the compressed air can be taken directly from the rail.

We recommend that the use of spiral hoses should be restricted, because they:

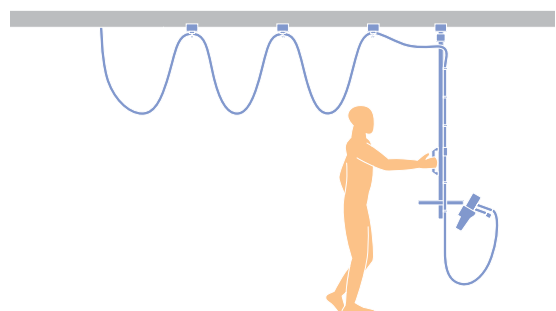
- have restoring forces and therefore do not allow optimum ergonomics
- are a cause of pressure losses
- are expensive to purchase and to maintain



Solution with tool carrier



Solution with work station

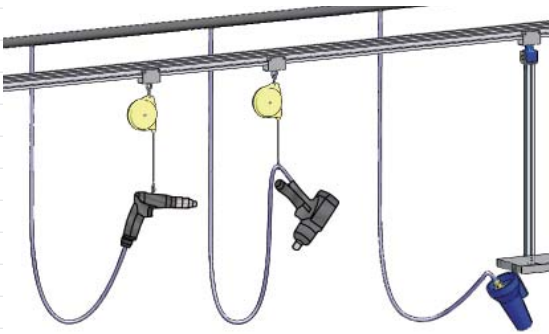


Solution with tool holder



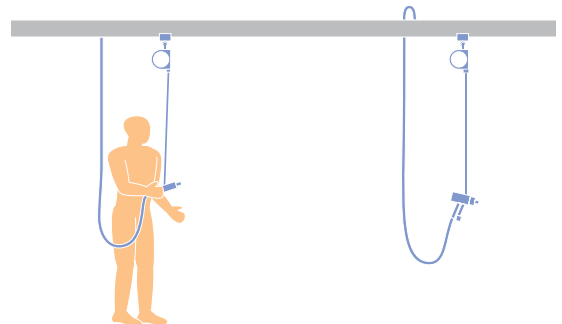
## STATIONARY WORKING

- ✓ Profil C75
- ✓ Profil A62
- ✓ Profil A180

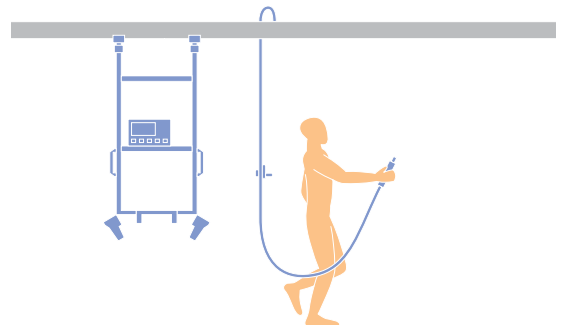


Economical solution for the supply of energy to stationary work stations.

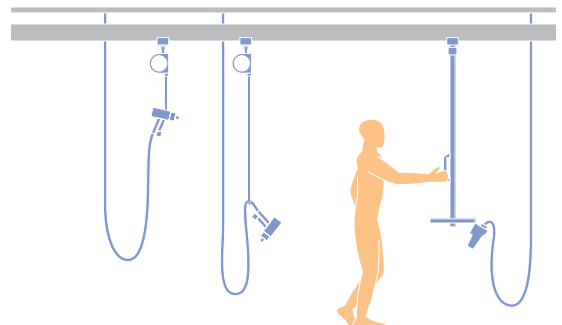
With the Profiles A62 and A180, the compressed air can be taken directly from the rail. When the Profile C75 is used, the compressed air is supplied externally.



With Profile A62 and A180, the compressed air can be taken from the top or bottom of the rail



In the application shown above, a movable or stationary work station is used, in addition



Compressed air supply from external line

## COMPLETE SOLUTIONS

The Bestapower system is extremely versatile and allows the use of compressed air and electric tools. Conductor rails and lighting systems are installed parallel to the profile.

The integration of computer technology and data processing is ensured. Electronic test equipment, monitors, printers, scanners and charging stations can be integrated very simply into the work stations.



## AIR TREATMENT



Tapping carriage with 3/8"-FRL unit



Tapping carriage with injection lubricator

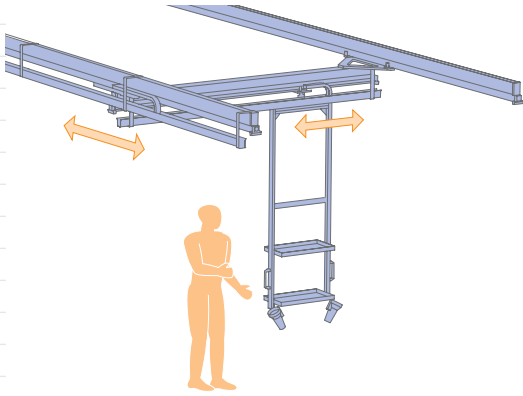


Tapping carriage with 1/2"-FR unit

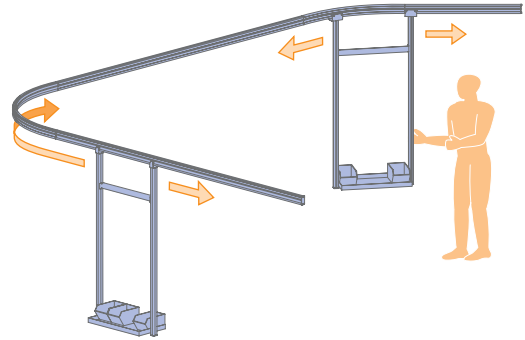
**FRL / F:** Filter, **R:** Regulator **L:** Lubricator



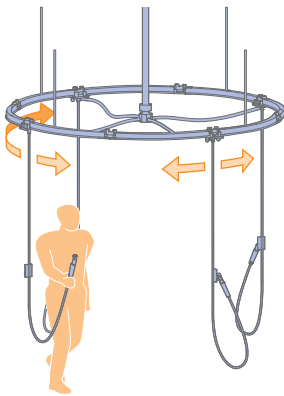
## SYSTEM SOLUTIONS



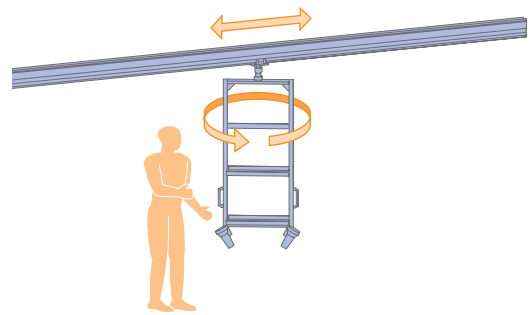
X-Y configuration with energy carrier system



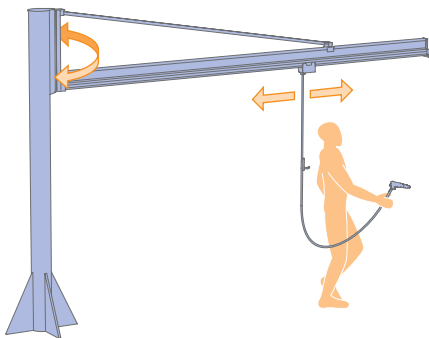
Curved rail sections with work stations



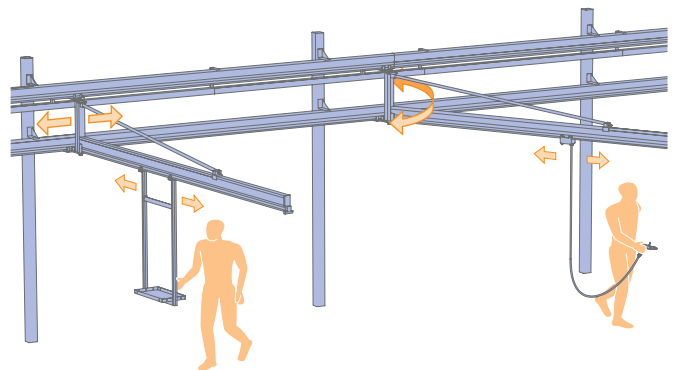
Supply with rotary coupling



Rotatable work stations

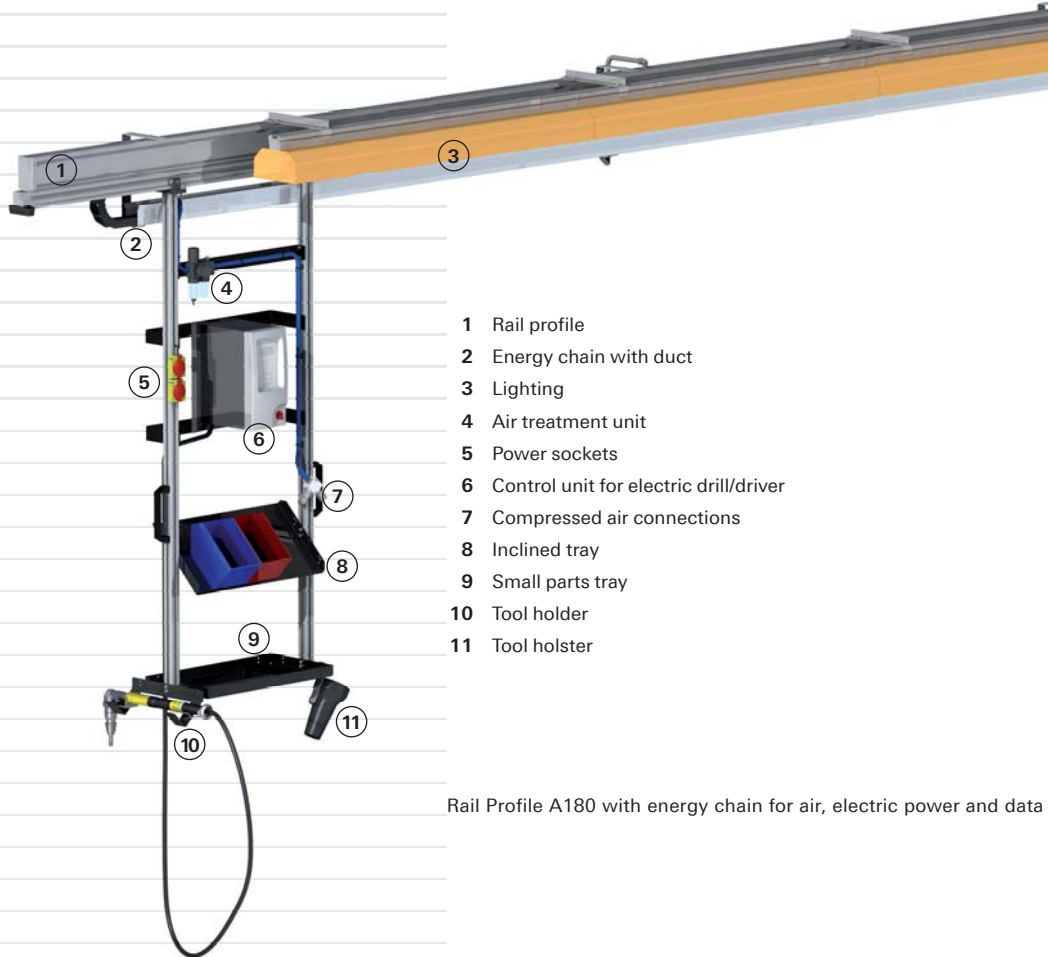


Swivel boom with tapping carriage



Swivel booms in series

## CONFIGURATION EXAMPLE



- 1 Rail profile
- 2 Energy chain with duct
- 3 Lighting
- 4 Air treatment unit
- 5 Power sockets
- 6 Control unit for electric drill/driver
- 7 Compressed air connections
- 8 Inclined tray
- 9 Small parts tray
- 10 Tool holder
- 11 Tool holster

Rail Profile A180 with energy chain for air, electric power and data cable

## Bestapower offers more

- Services
- System solutions
- Competence
- Experience
- Global presence

Besta Ltd.  
Ackerstrasse 45  
8610 Uster  
Switzerland  
Phone +41 43 399 15 15  
Fax +41 43 399 15 00  
info@besta.ch  
www.bestapower.com